



> data  
> voice  
> video

*The ACSC-10/100 EV*

*high-performance*

*Ethernet switch card*

*provides an internal*

*concentration function*

*in the Expresso GS*

*Access Concentrator.*

## ACSC-10/100 EV

*Access Concentrator Ethernet Switch Card*



### High-Speed Networking

- Ethernet switching performs high-performance concentration of subscriber bandwidth
- Supports multiple Private Network Groups (PNGs) running at full bandwidth
- Allows traffic aggregation to multiple 100Base-T and 10Base-T ports

### Flexible Network Architecture

- Up to 2 Ethernet switch cards per shelf may be used in concert to increase capacity or as a redundant pair
- Up to 4 private network groups per card allow an optimized internetworking strategy for both public and private networks
- Private network groups include all shelf resources (DSL line cards and WAN/Router cards) and multiple direct Ethernet interfaces
- Separation of public and private networks enhances security
- Private Network Groups enable multiple grades of service

### Uncompromised Service Availability

- Operates with a centralized management card
- Optional full redundancy with automatic switching ensures continuous operation
- Hot-swappable modules minimize service interruption

### High-Performance Concentration

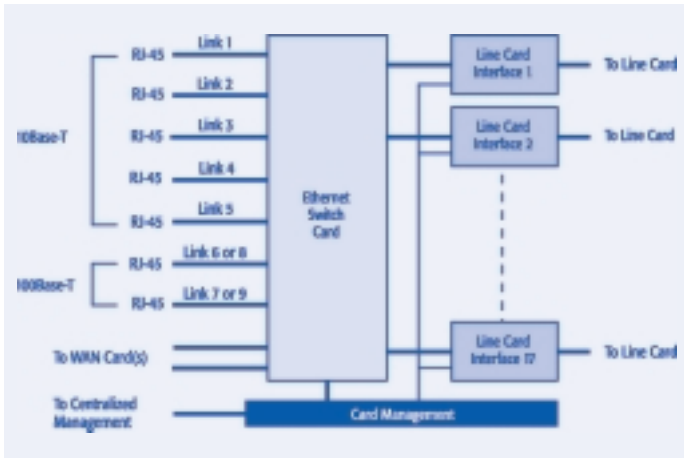
The ACSC-10/100 EV high-performance Ethernet switch card provides an internal concentration function in the Expresso GS Access Concentrator and supports up to 4 Private Network Groups (8 with two ACSC cards). Each Ethernet switch card provides a separate connection to each DSL card, WAN card, and seven external Ethernet ports.

### Flexibility

Two of the external ports on the backplane of the Expresso GS chassis can operate at 100 Mbps. This allows multiple internetworking and concentration strategies to be supported using a combination of internal and external equipment. Flexibility and performance are further enhanced by the ability to support up to 4 Private Network Groups per Ethernet switch card. This allows traffic from different sources to be groomed to separate full-performance LANs. Traffic may be segregated based on performance objectives, public network/private network segments, or any other criteria.

### Performance

To enhance system availability, two Ethernet switch cards may be configured in a hot-standby mode such that the failure of one of the cards will not affect system performance.



About Tut Systems

Tut Systems is the industry leader in delivering networking solutions for the local loop, enterprise, and home environments. The company's products leverage industry-standard technologies with FastCopper™ expertise to deliver high-speed data over unconditioned, telephone-grade wire. Tut products are easy to install and easy to use.

Tut Systems' product portfolio includes the highly successful XL product line for campus applications, the Espresso GS system for Internet access over local loop networks, and the innovative HomeRun family for home networking. Working with industry leaders and partners, Tut is ready to provide you with a future-proof line of connectivity products to meet your high-speed data needs.

Specifications

Internal Interfaces

- 10Mbps full-duplex connection between Ethernet switch and each DSL line card
- 10/100 Mbps full-duplex connection between Ethernet switch and each WAN card

External Interfaces

- Five 10Base-T interfaces
- Two 100Base-T interfaces (switched to four connectors)

Switching Function

- MAC layer port switch
- Learning function (200 MAC addresses)
- Full rate filtering with any size packets

Mounting

- Occupies a single card position in the Espresso GS shelf in slots 19 and 20

Environmental

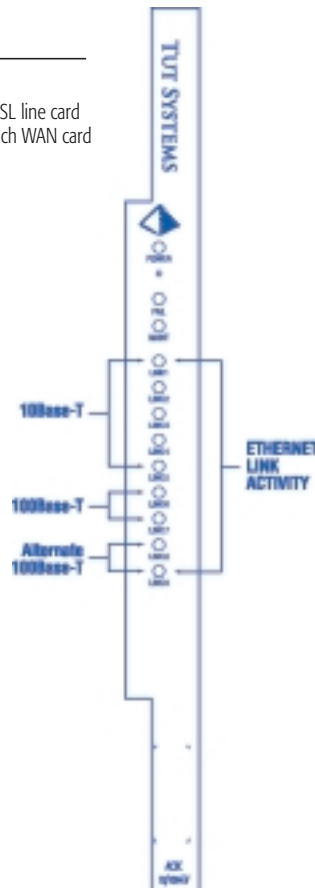
- Ambient temperature: -5°C to 55°C,
- Relative humidity: 5-90%, non-condensing
- Altitude: -200 ft. to +15,000 ft.

Certifications

- NEBS
- UL/CSA

RFI Emissions

- FCC Class A
- CISPR 22A



About Tut Systems, Inc.

Tut Systems (NASDAQ: TUTS) is the leading provider of solutions that deliver reliable broadband services within multi-tenant buildings (MTUs) such as hotels, apartments, student housing and multi-tenant commercial properties. In partnership with service providers and real estate investment trusts, Tut's solutions have been deployed in hotel, commercial and residential properties worldwide.

More information on Tut and its products, including international availability, can be found at <http://www.tutsystems.com>, or by contacting Tut's US headquarters in Pleasanton, California, at +1-925-460-3900 or 800-998-4888. Investor queries should be directed to 800-486-1241.

Tut Systems and the Tut logo is a registered trademark of Tut Systems, Inc. IntelliPOP and Signature Switch are trademarks of Tut Systems, Inc. All other company and product names may be trademarks of their respective holders.

© 2001, TUT SYSTEMS, INC. ALL RIGHTS RESERVED.

MC-JOB 333\_050701\_REV1A



Tut Systems, Inc.  
5964 West Las Positas Boulevard | Pleasanton, CA 94588  
[www.tutsystems.com](http://www.tutsystems.com)  
Sales 800.998.4888 | Phone 925.460.3900 | Fax 925.460.3901